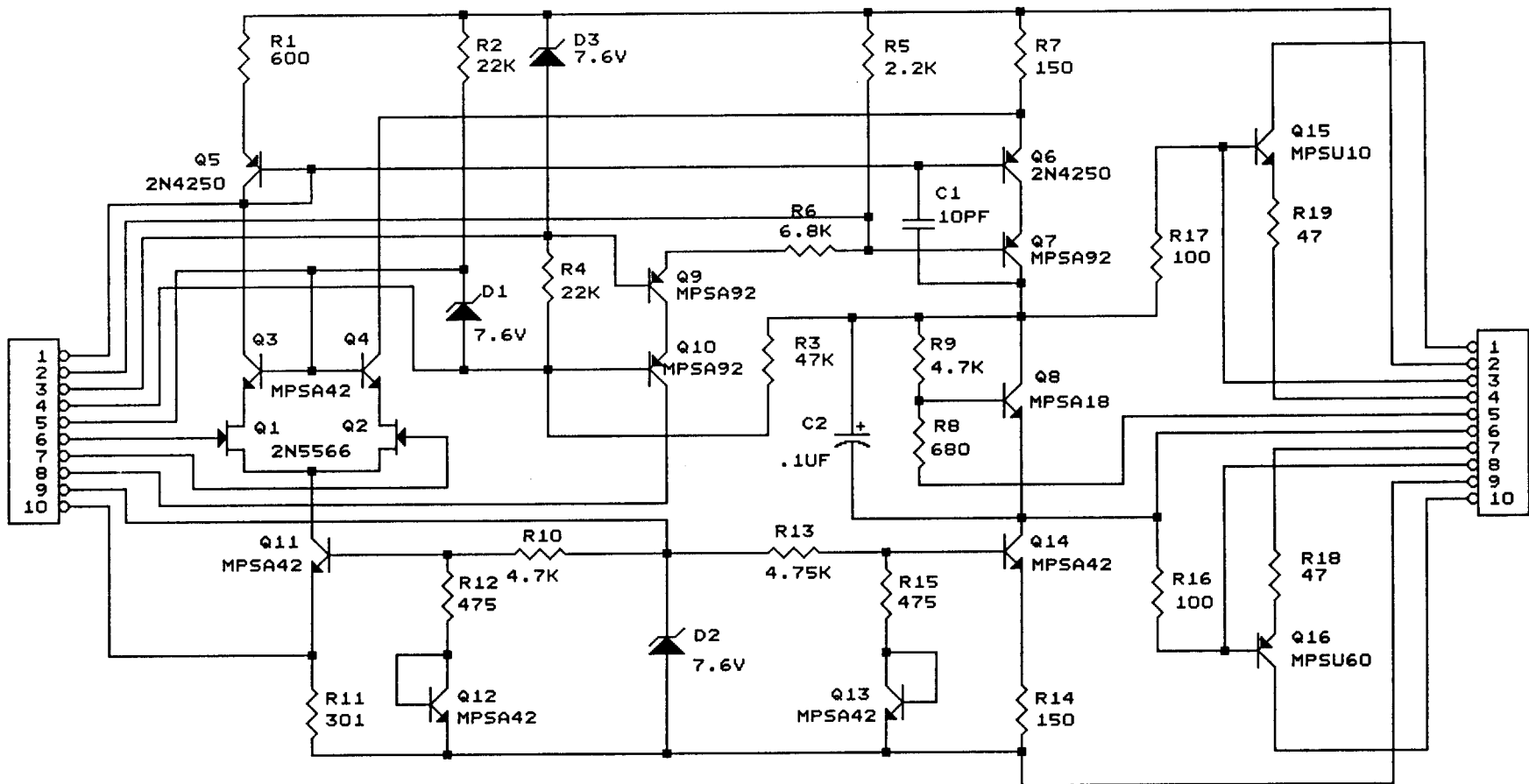


NOT USED ON INVERTING CHANNEL OF BRIDGED AMPS, ALL 3 CONDUCTORS TO INSTEAD

A	DECOUPLING MODS, ECO 89028 & 89029	05-11-89
THRESHOLD CORP		
DATE: 05-11-1989	APP BY <i>VJ</i>	DRAWN BY CUSICK
SCALE N/A	PAGE 1 OF 1	REV A 05-11-89
UNIVERSAL FEB SCHEMATIC		
PART NO 854-2000	CAD FILE FEBSCHA2	DRAWING NO S6542000-A



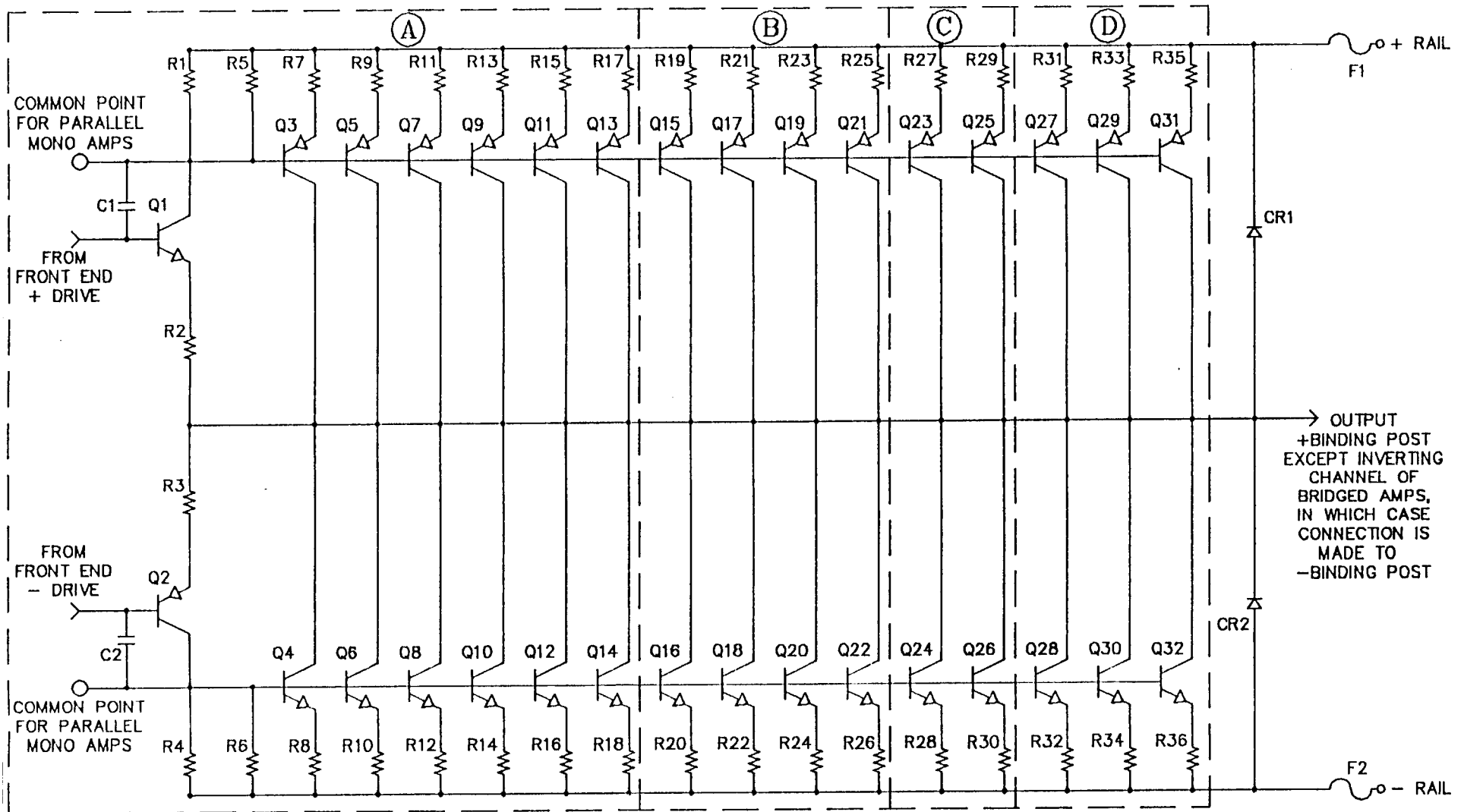
INPUT HEADER:

- PIN 1 COMPENSATION
- PIN 2 CASCODE ADJUST
- PIN 3 ZENER FILTER / ADJUST
- PIN 4 GROUND
- PIN 5 ZENER FILTER / ADJUST
- PIN 6 + INPUT
- PIN 7 - INPUT
- PIN 8 THERMAL SWITCH
- PIN 9 ZENER FILTER / ADJUST
- PIN 10 OFFSET ADJUST

OUTPUT HEADER:

- PIN 1 UNREGULATED + SUPPLY
- PIN 2 REGULATED + SUPPLY
- PIN 3 + COMPENSATION
- PIN 4 + DRIVE OUTPUT
- PIN 5 BIAS POT
- PIN 6 BIAS POT
- PIN 7 - DRIVE OUTPUT
- PIN 8 - COMPENSATION
- PIN 9 REGULATED - SUPPLY
- PIN 10 UNREGULATED - SUPPLY

THRESHOLD CORP		
APPROVED BY: PASS		
DRAWN BY: PASS		
Title		
UNIVERSAL GAIN MODULE		
Size	Document Number	REV
A		NC
Date:	April 17, 1990	Sheet 1 of 1



NOTES:

- (A) REFERS TO THE S350E, SA3.9E, & SA8E OUTPUT STAGES.

(B) REFERS TO THE S450E & SA10E WHICH INCLUDES SECTION (A)

(C) REFERS TO THE SA4E & S550E WHICH INCLUDES SECTIONS (A) & (B)

(D) REFERS TO THE SA12E & S1600E WHICH INCLUDES SECTIONS (A), (B) & (C)
- THIS SCHEMATIC REPRESENTS THE OUTPUT STAGE OF ONE CHANNEL FOR STEREO AMPS AND 1/2 OF THE COMPLETE OUTPUT STAGE FOR MONO AMPS.

C	WAS S1905-B IS S1905-C	07-14-89	V ₂
B	N/C RELEASE E-LINE PHASE 2	04-03-89	V ₂
A	PER ECD # 89012	03-31-89	V ₂
THRESHOLD CORP			
DATE: 03-09-1989		APP BY V ₂	DRAWN BY CUSICK
SCALE	N/A	PAGE 1 OF 1	REV C 07-14-89
SCHEMATIC, OUTPUT STAGE, E-LINE			
PART NO	CAD FILE	DRAWING NO	
N/A	OUTSCH2C	5-C	